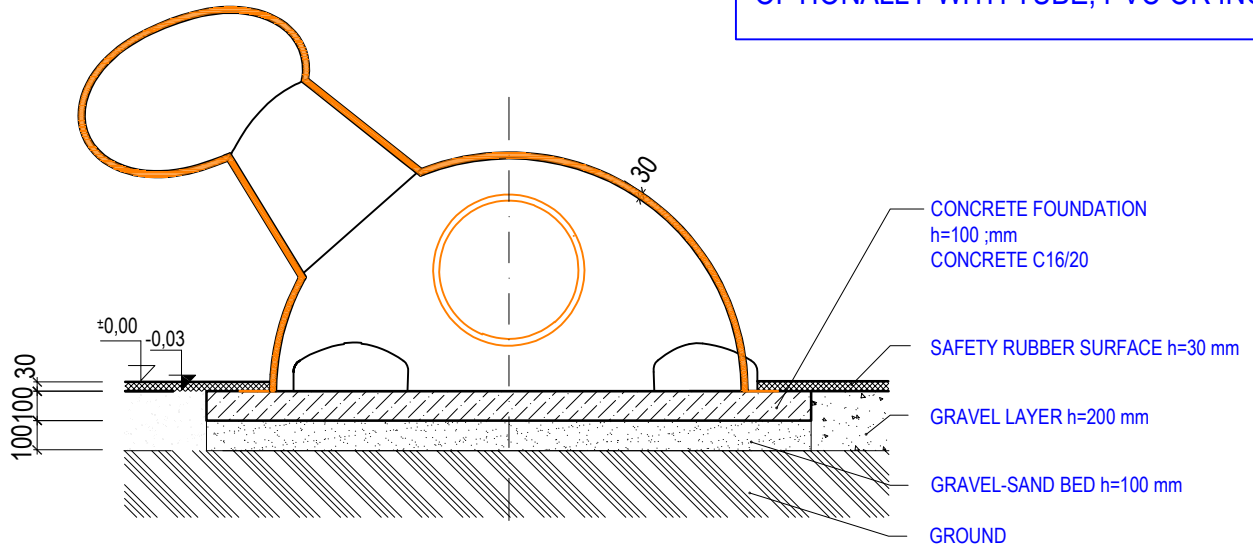
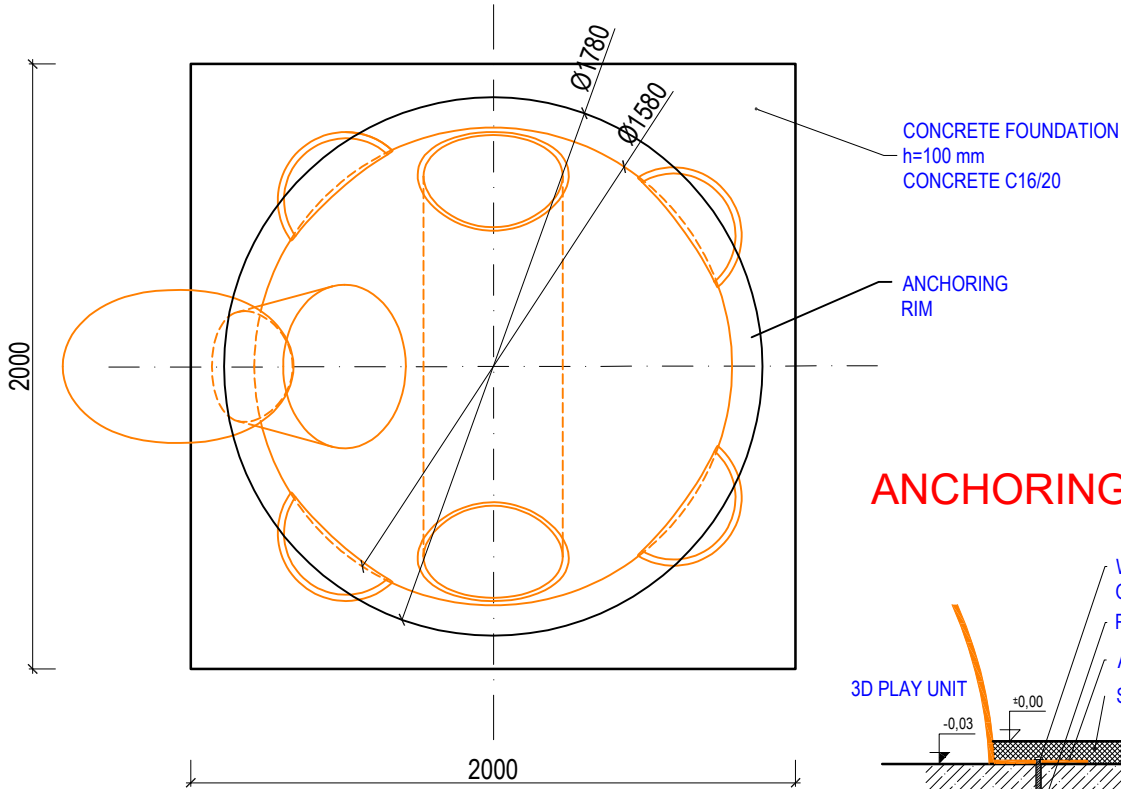


SECTION (1:25)

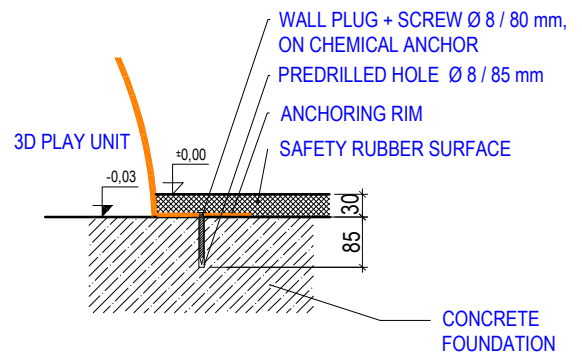
OPTIONALLY WITH TUBE, PVC OR INOX




FOUNDATION GROUND PLAN (1:25)



ANCHORING DETAIL (1:10)



PRODUCT HEIGHT VARIES BY MODEL

Author:		3D PROGRAM, s.r.o.	
Daniel Nad'		Objizdná 1911 765 02 Otrokovice, Czech Republic	
		Tel: +420 602 500 045 Email: info@3dprogram.eu	
TECHNICAL DRAWING		Certified according to	EN71 , EN1176
		Date of issue	18.12.2025
APPLICABLE TO: C42, C43, C44, C45, C46		M 1:25, 1:10	format 1xA4
Foundation and anchoring - ground plan and section		Cwn_EN.dwg	revision 0